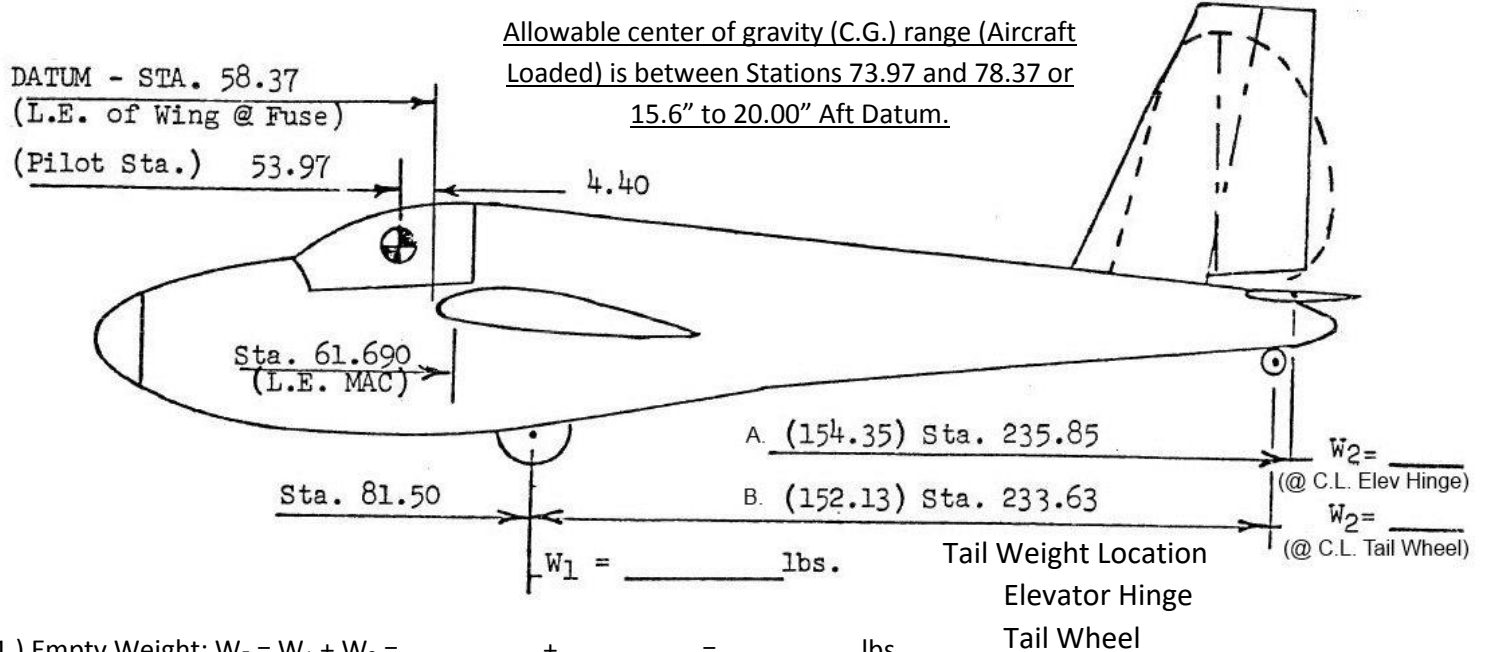




Weight & Balance

Model: 1-26 _____ Serial No.: _____ Registration No.: _____



- 1.) Empty Weight: $W_E = W_1 + W_2 = \underline{\hspace{2cm}} + \underline{\hspace{2cm}} = \underline{\hspace{2cm}}$ lbs
- 2.) C.G. Empty: $CG_E = \frac{(W_2 \times (A \text{ or } B))}{W_E} + 81.50 = \frac{(\underline{\hspace{2cm}} \times \underline{\hspace{2cm}})}{(\underline{\hspace{2cm}})} + 81.50 = \text{Sta. } \underline{\hspace{2cm}}$
- 3.) Minimum Weight Pilot: $= \frac{(CG_E - 78.37) \times W_E}{78.37 - 53.97} = \frac{\underline{\hspace{2cm}} \times \underline{\hspace{2cm}}}{24.40} = \underline{\hspace{2cm}}$ lbs
- 4.) Maximum Weight Pilot: = Max. Gross Weight – Empty Weight = _____ - _____ = _____ lbs

Max. Gross Weight	SGS 1-26 & 1-26A: 575 lbs	SGS 1-26D: 700 lbs
	SGS 1-26B & 1-26C: 600 lbs	SGS 1-26E: 700 lbs

5.) Maximum Weight Pilot: $= \frac{(CG_E - 73.97) \times W_E}{73.97 - 53.97} = \frac{\underline{\hspace{2cm}} \times \underline{\hspace{2cm}}}{20.00} = \underline{\hspace{2cm}}$ lbs

Placard Limits: Min Weight Pilot (From Step 3) = _____ lbs

Max Weight Pilot (Use Lower Weight From Step 4 or 5) = _____ lbs

Calculated By: _____

Date: _____

Checked By: _____

Date: _____



Model: 1-26 _____ Serial No.: _____ Registration No.: _____

The Empty Weight As Listed on Page 1 Includes the Following Equipment

Item No.	Item Description	Weight	Arm	Moment
1.	Wheel, Schweizer Model 26B-201	7.0	81.50	570
2.	Airspeed Indicator	1.0	34.00	34
3.	Fixed Ballast On Nose Bulkhead		(Thru C) 6.00 (D & E) 3.00	
	<u>Optional And Special Equipment (Ref: I-4032-2)</u>			



Equipment List

Item No.	Item Description	Weight	Arm	Moment
	<u>Required Equipment</u>			
1.	Wheel, Schweizer Model 26B-201	7.0	81.50	570
2.	Airspeed Indicator	1.0	34.00	34
	<u>Optional or Special Equipment</u>			
1.	Cosim Variometer	1.5	25.00	37.5
2.	Sensitive Altimeter	1.25	34.00	42.5
3.	Ball Bank Indicator	Neglect	34.00	—
4.	Turn and Bank Indicator with 4.5 Volt Battery (Friebe 4.5 Volt Elect.)	1.5	34.00	51
5.	Rate of Climb with Tank	1.0	34.00	34
6.	B-21 Standby Compass	1.0	34.00	34
7.	Cook Compass	Neglect	—	—
8.	Clock	Neglect	34.00	—
9.	Air Vent P/N 1D-304-1A	1.25	22.00	27.5
10.	Special release Hook (CG) per drawing 26143	4.0	42.50	170
11.	Wheel Cover Installation			
	(a) Aluminum (Drawing 26207)	Neglect	81.50	—
	(b) Fiberglass (Drawing 26211 & 26212)	Neglect	81.50	—
12.	Total Energy Head (Drawing 26949)	.40	94.00	37.6
13.	Safety Cushion (Drawing 26327)	5.0	54.00	270
15.	12 V. Bank & Turn Installation (Drawing 26938)			
	(a) Batteries (2) and Bracket	3.5	12.00	42
	(b) Indicator (Allen #12F65-A1A)	1.5	34.00	51
16.	Wing Tip Wheels (Drawing 26215) @ 2lbs ea	4.0	82.50	330
17.	Hydraulic Brake			
	(a) 1-26 A, B, C (Drawing 26248)	3.0	80.50	241.5
	(b) 1-26D (Drawing 26249)	4.0	82.50	330
	(c) 1-26E (Drawing 26250)	3.0	82.50	247.5
18.	Removable Ballast Installation			
	(a) 1-26 A,B,C (Drawing 26968)	20.0	23.70	474
	(b) 1-26 D & E (Drawing 26058)	20.0	23.70	474