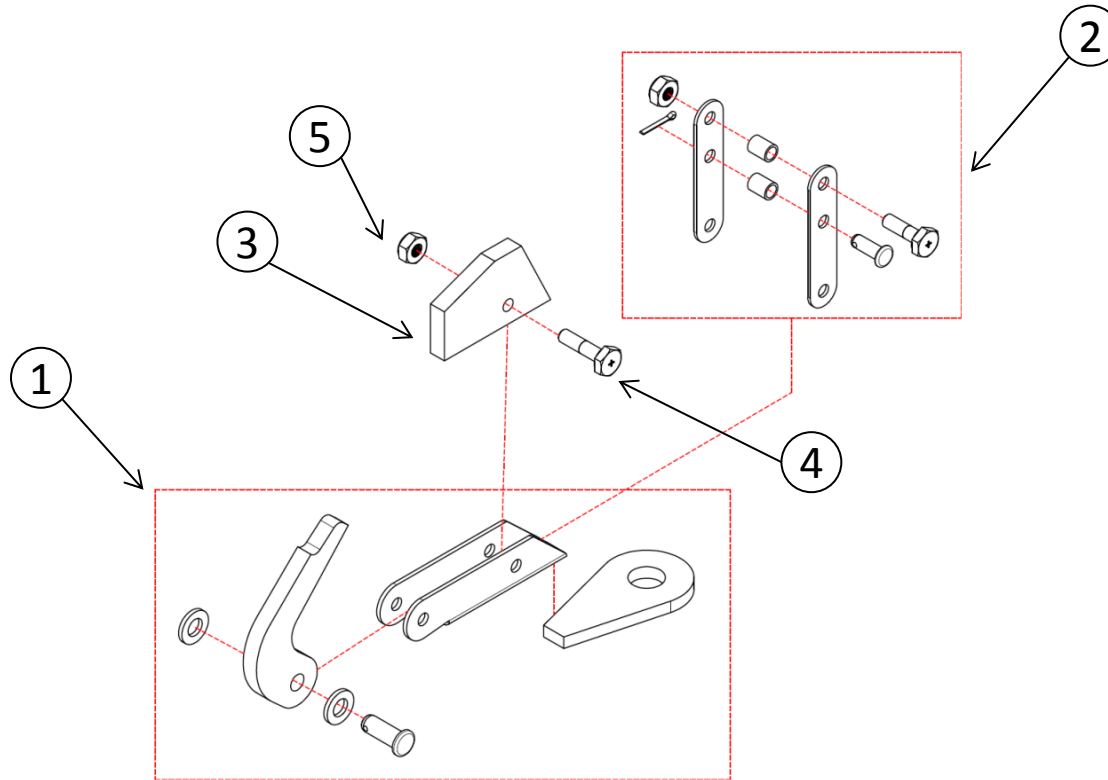
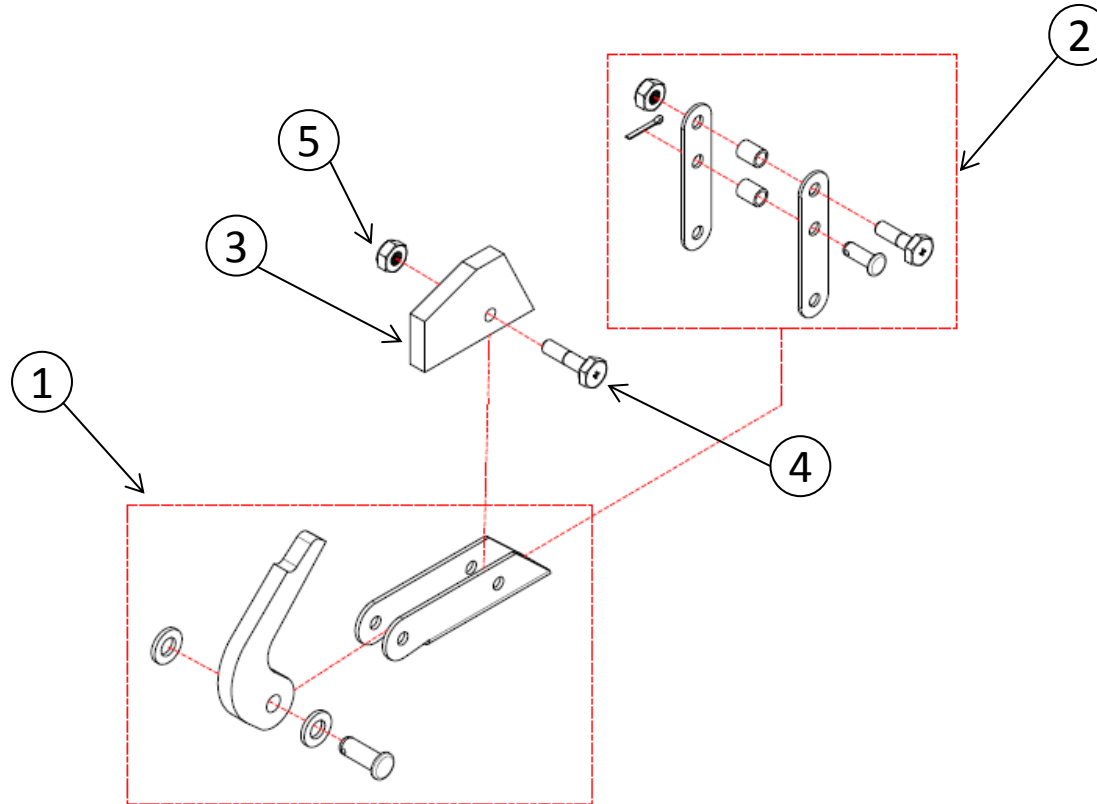


1D112-015 Bolt-On Release Assembly



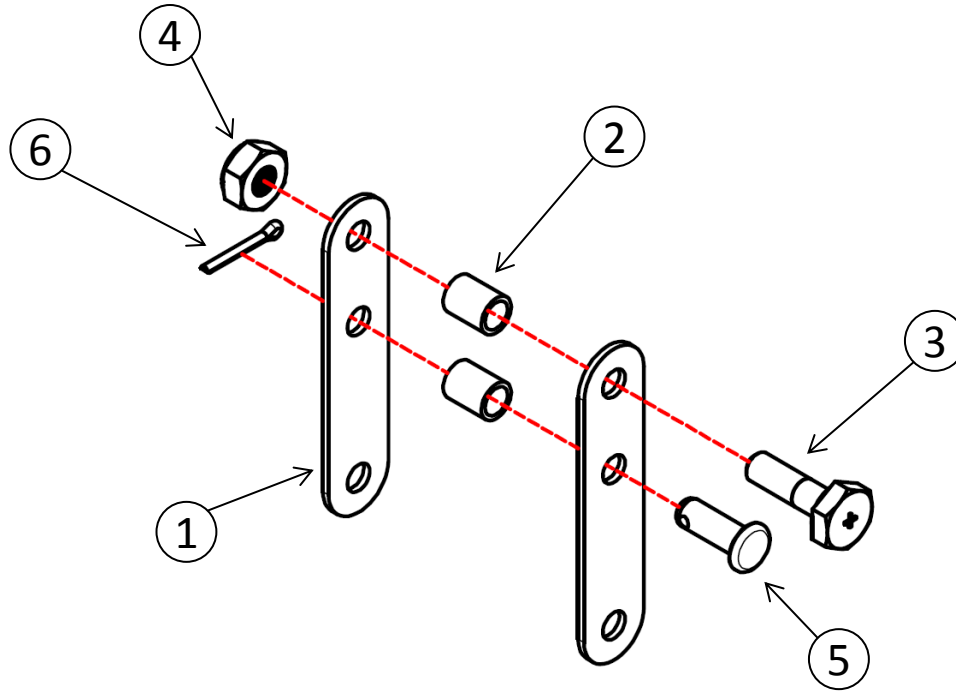
Item #	Part #	Description	Quantity
1	1D112-014	Weld Assembly	1
2	1D112-008	Arm Assembly	1
3	10186-001	Rubber Block	1
4	AN3-6A	Bolt	1
5	AN364-1032	Nut	1

1D112-014 Weld-On Release Assembly



Item #	Part #	Description	Quantity
1	1D112-010	Braze Assembly	1
2	1D112-008	Arm Assembly	1
3	10186-001	Rubber Block	1
4	AN3-6A	Bolt	1
5	AN364-1032	Nut	1

1D112-008 Arm Assembly

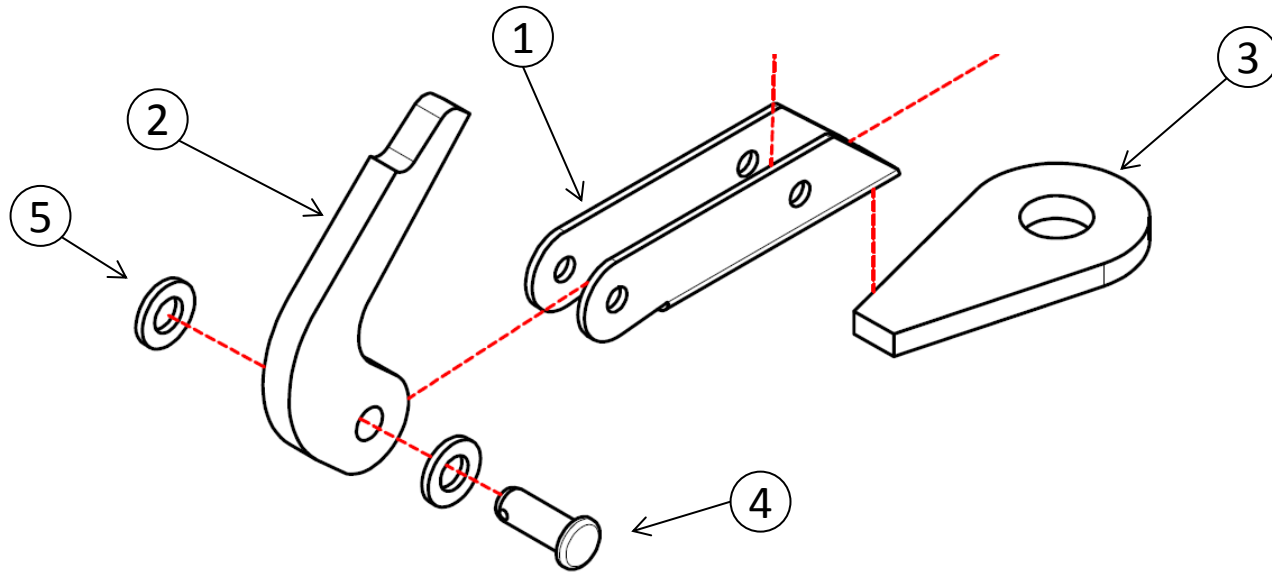


Item #	Part #	Description	Quantity
1	1D112-004	Arm	2
2*	1D112-005	Spacer	2
3	AN3-5A	Bolt	1
4	AN364-1032	Nut	1
5**	AN393-13	Clevis Pin	1
6**	AN380-2-2	Cotter Pin	1

*Lower 1D112-005 Spacer Can Be Replaced With 1D112-011 Spacer For Worn Assemblies

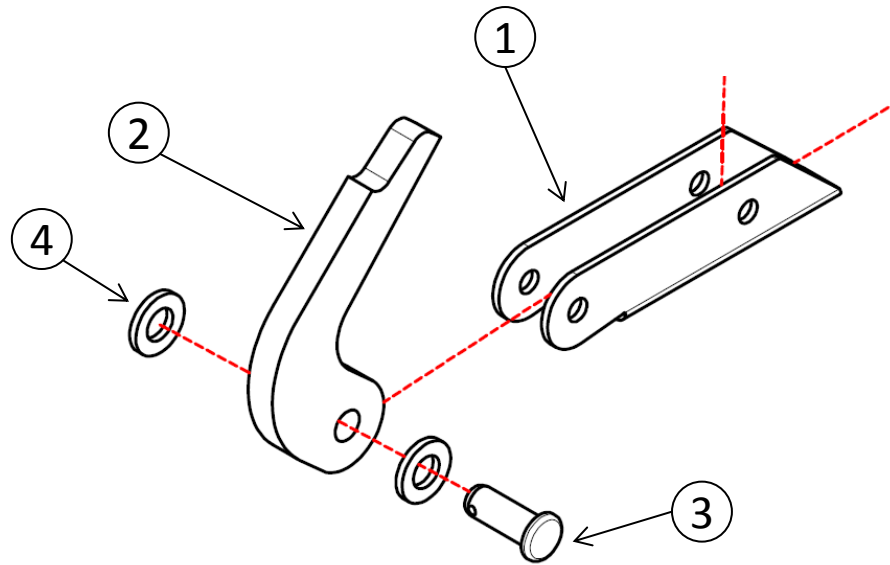
**MS20470AD6-10 or AN442AD6-10 Rivet Can Be Used As Alternates For Items 5 & 6

1D112-014 Weld Assembly



Item #	Part #	Description	Quantity
1	1D112-003	Body	1
2	1D112-002	Release Hook	1
3	1D112-013	Lug	1
4	AN394-17	Clevis Pin	1
5	AN960-416	Washer	2

1D112-010 Braze Assembly



Item #	Part #	Description	Quantity
1	1D112-003	Body	1
2	1D112-002	Release Hook	1
3	AN394-17	Clevis Pin	1
4	AN960-416	Washer	2